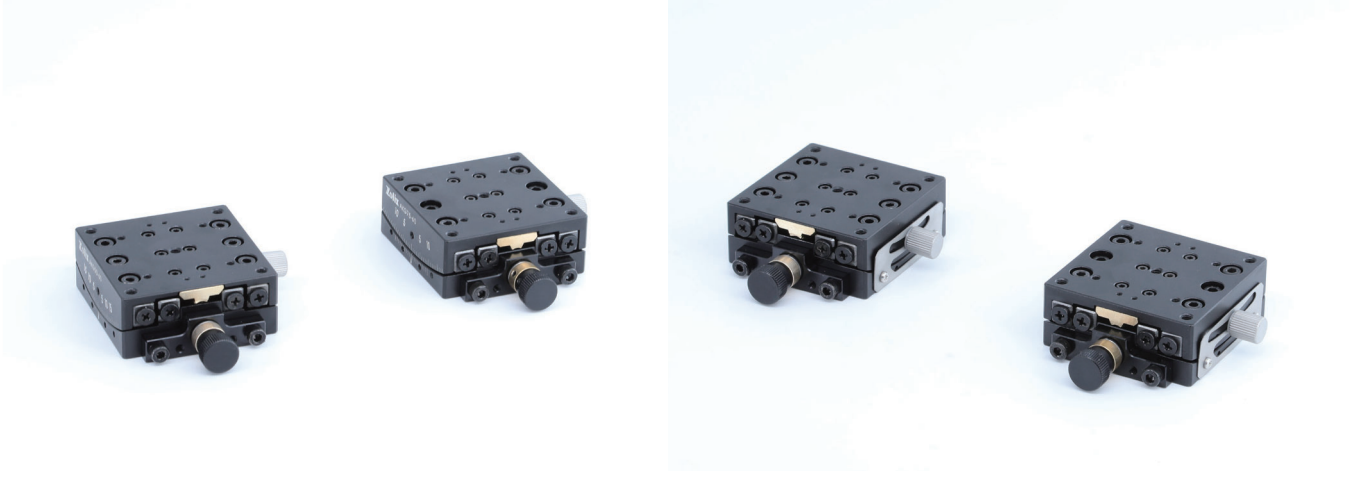


AKG Series High Precision Manual Goniometer



Description:

AKG manual goniometer is made of high-quality aluminum alloy, with curved crossed-ball guide, and driven by worm gear and worm.

This goniometer runs stably and reliably with high sensitivity, which is suitable for the field with high requirements for manual angle adjustment.

Features:

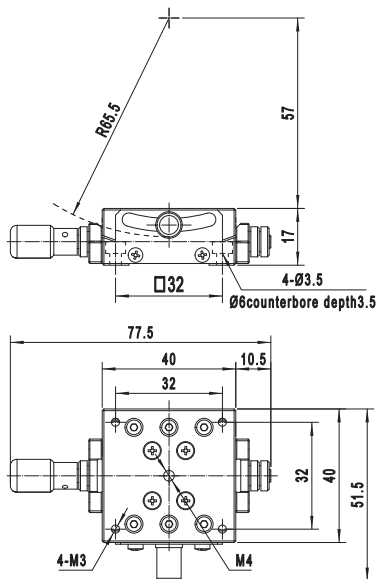
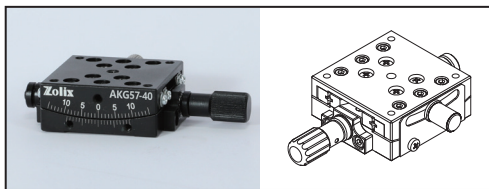
- Worm gear and worm drive type, high sensitivity.
- Curved crossed-ball guide

Selection chart:

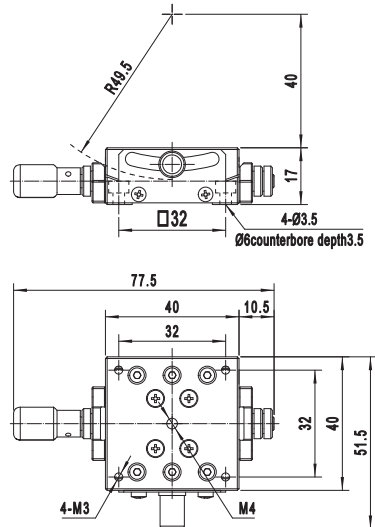
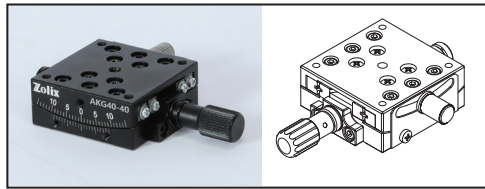
Model	AKG57-40	AKG40-40	AKG75.5-65	AKG50-65	AKG50-60	AKG75-60
Travel range(°)	±10.0	±15.0	±10.0	±15.0	±10.0	±8.0
Design center height(mm)	57	40	75.5	50	50	75
Stage surface size(mm)	40×40	40×40	65×65	65×65	60×60	60×60
Thickness(mm)	17	17	25.5	25.5	25	25
Guide mechanism	Curved crossed-ball guide					
Drive type	worm gear and worm					
Transmission Ratio	252: 1	235: 1	352: 1	252: 1	252: 1	352: 1
Main body material, surface treatment	Black anodized aluminum alloy					
Weight(Kg)	0.15	0.15	0.42	0.42	0.36	0.36
Run-out of center of rotation(μm)(μm)	≤60	≤60	≤40	≤40	≤15	≤15
Vernier minimum reading(°)	0.1	0.1	0.1	0.1	0.1	0.1
Angle changes by tuning a round of micrometer(°)	≈1.13	≈1.53	≈1.02	≈1.43	≈1.43	≈1.02
Load capacity(kg)	3	3	5	5	5	5

Dimensions

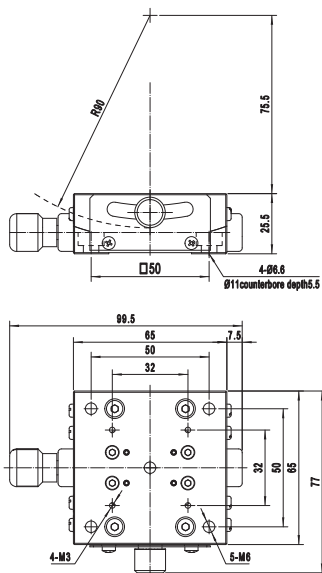
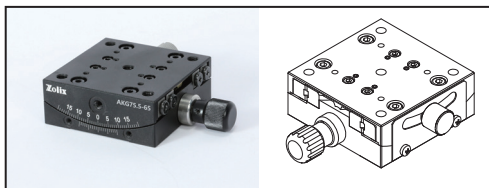
AKG57-40



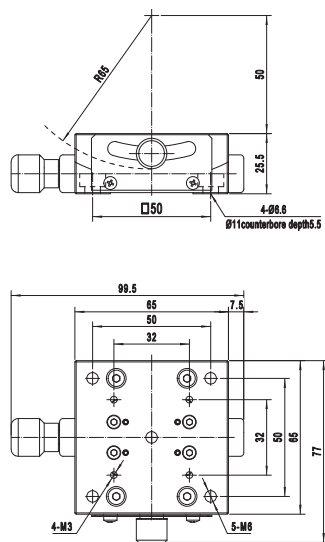
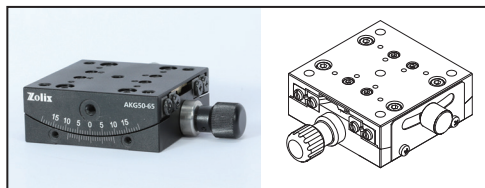
AKG40-40



AKG75.5-65

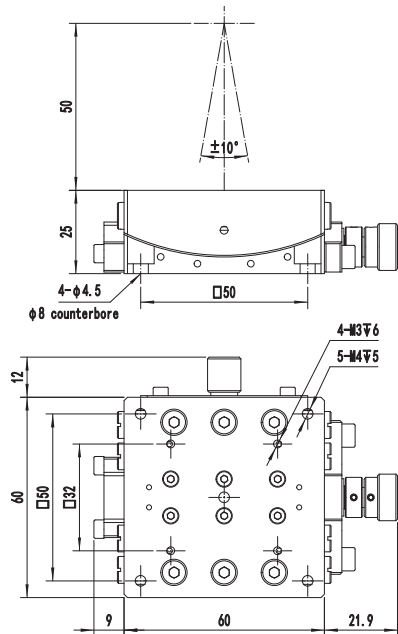
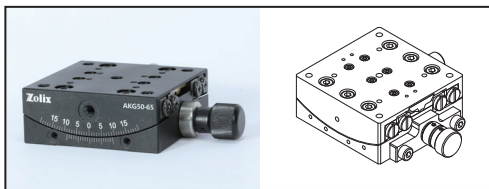


AKG50-65



Dimensions

AKG50-60



AKG75-60

